

Cámara térmica para embarcaciones marinas IPV98 by iPVision.es

Innovación Profesional en Visión S.L.

Tecnología naval de la mano de una empresa
profesional en cámaras térmicas

iPVision.es
29/08/2013

Innovación Profesional en Visión S.L. www.ipvision.es



Innovación Profesional en Visión S.L.

IPV98 Thermal PTZ Camera for Marine BY iPVision.es

Main Feature :



Unique Configuration Feature /

Body is made of al-alloy, solid and airproof. Available to mount on vessel.

5mm optical glass used for camera window; and 5mm monocrystalline germanium glass plating hard carbon film.

Use-Friendly Mount Way

- With 2 mount way: Up and Upside down
- Mount way set by OSD menu.

Integration

- Built-in Sony 36x day/night module.
- Built in Flir high performance uncooled thermal core, navigation applied in darkness environment.
- Built in GYRO, keep stable video when vessel in storm.
- Built-in heater, work in -25°C to +55°C environment.
- Built-in defroster, camera and thermal output high quality image at any environment.

Special applied for Marine

- Up to IP66
- Working temperature -25°C to +55°C
- Sea corrosion proof
- Built in surge and lightning protect equipment.

Pan/Tilt Feature

- Accurate step motor, work stable and accurate, reflect smart.
- Pan rotation 360° and Tilt rotation $\pm 90^\circ$
- Pan control speed 0.5--40°/sec
- Tilt control speed 0.5--20°/sec
- Preset target speed: Pan: 40°/sec, Tilt: 20°/sec
- Auto pan scan speed: 1°—20°/sec; Pan&Tilt limits available to set.
- Apple peel scan speed: Pan: 1°—40°/sec, Tilt 1°—20°/sec. Pan&Tilt limits available to set.

Decode Feature

- Integrate multi protocol decode: PELCO-P/D, RS-422
- Built in English/French OSD menu.
- With software address
- Change speed proportionally---Pan/tilt speed and the depth of zoom lens decline proportionally;
- Available to set dummy home position.
- With auto-scan function, tilt limit could be set.
- With apple peel scan function.
- 8 preset and preset accuracy ± 0.10
- 2 Alarm input and 1 Aux
- 2 video output: 1 output for thermal video signal, 1 output for switching thermal and camera video signal. One or two video could be displayed.
- With compass function, support NMEA0813 and NMEA2000 protocol, compass data could be displayed.

With Radar function.

OSD menu feature

- Built in English/French menu.
- With Menu password protection.
- User name, camera position title and preset title could be edit.
- Set, run and delete preset, preset tour and set by OSD menu.
- User name, camera position, preset title and rotation display.
- Standard marine icon display

Video Freeze Feature

- Users can freeze image to check object clearly.

Electronic Zoom

- Thermal core with 2x electronic zoom.

Standard Matched Control Keyboard (UV10-KBD)

- UV98 standard matched a control keyboard (UV10-KBD), it control PTZ. Users could select multi-keyboards and mount in different position to control UV98
- With three-dimension joystick, LCD display operation status. Pelco-D protocol, control command output by RS422 port (RJ45 web port) with low-light compensation, the brightness can be adjusted.

- UV10-KBD is highly airproof, to be applied in Marine. Up to IP66.

Switch (UV-PE10)

- UV-PE10 is switch for UV98, users could select to use. Available to connect with 4 keyboards and 4 UV98.

- UV-PE10 is highly airproof, to be applied in Marine. Up to IP66.

Dimension

System Connection (At most 4 control keyboard available)

Tech Parameter

Item No. UV98

Thermal

Sensor Type Uncooled Focal Plane Array(FPA)

Pixel 320X240

View Field Angle 14° (Pan) x 11 ° (Tilt)

Lens 50mm

Image Frame 8.3 Hz PAL / 7.5 Hz NTSC

Electronic Zoom 2X

Thermal Sensitivity < 50 mK (at f/1.0 iris, +25°C)

Spectrum Range 7.5 - 13.5 μm

Focal Auto

Camera

Sensor Type 1/4" HAD CCD

Solution 752 (Pan) x582 (Tilt)

Minimum illumination 0.1LUX/F1.4

Pan View Field Angle 57.8° (zoom at 1X) , 1.7° (zoom at X36)

Lens Zoom 36X

Electronic Zoom 10X

Pan/Tilt

Pan Rotation 360° endless

Tilt Rotation +90 / - 90°

Pan control speed 0.5°—40°/sec

Tilt control speed 0.5°—20°/sec

Pan preset speed 40°/sec

Tilt preset speed 20°/sec

Preset 8

Video Signal

Video output1 PAL or NTSC thermal image

Video output2 PAL or NTSC thermal and camera image

Connector Type BNC with BNC to RCA connector, airproof

Electron

Power 12-24VDC, no polarity

Consumption Standard 25W, at most 50W (heater working), 10W at standby mode

GYRO

GYRO YES

Working Environment

Working Temperature -25°C to +55°C

Storage Temperature -40°C to +85°C

IP standard IP66

Impact Tilt 15 g ; Pan 9 g

Libration IEC 60945; Mil-Std-810E

Salt/Frog IEC60945

Wind 100 bit

Defroster Standard

Deice Standard

Lightning Protection Standard

Electromagnetism Interfere IEC 60945

Physic

Dimension Φ 234mm x397mm(UV98)

Weight 11 Kg(UV98)

White White

Accessory

Standard Accessory 1 set UV98, 1pcs 1M cable, Operation manual, Mount Bracket

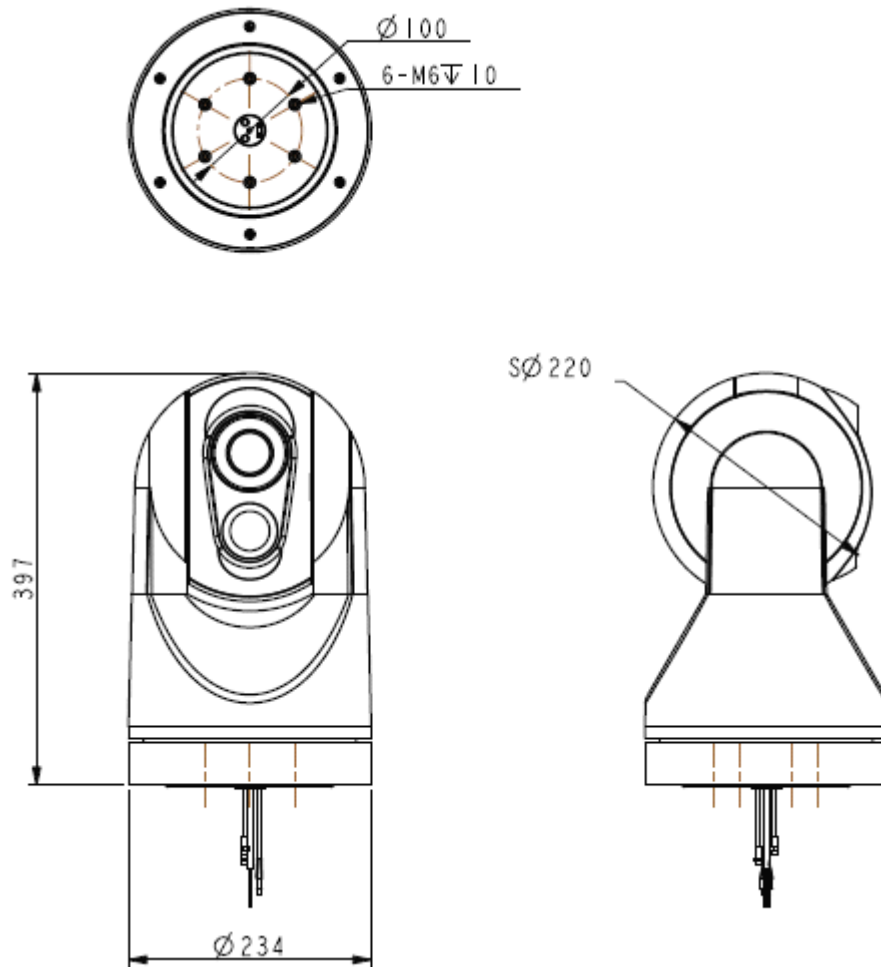
Optional Accessory

UV10-KBD Control Keyboard UV10-KBD

Switch UV-PE10

5 class STP with RJ45 CONNECTOR, 8M

Dimensiones:



System Connection (At most 4 control keyboard available)

